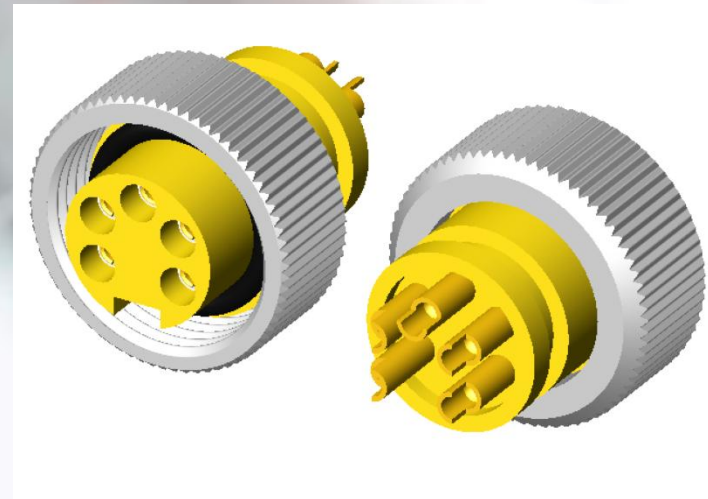
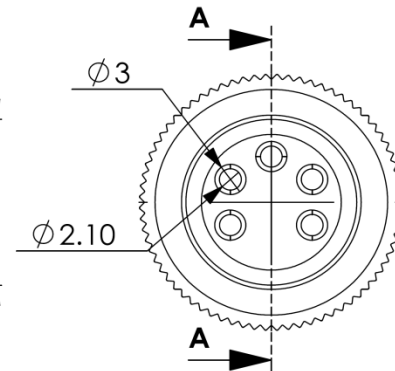
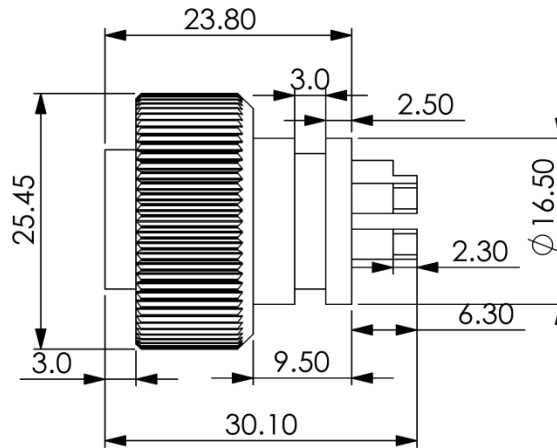
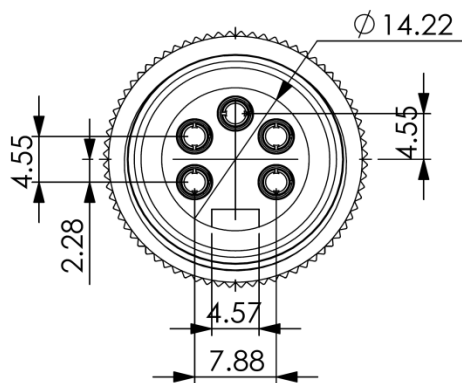
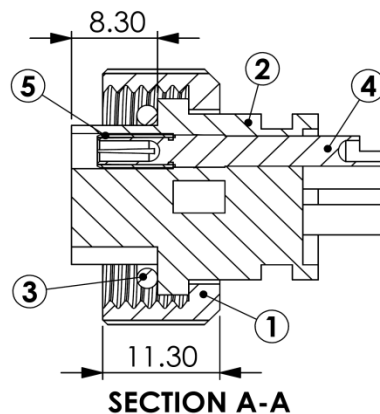
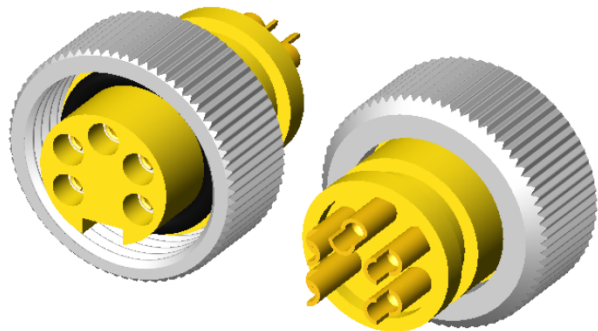


WATERPROOF CONNECTORS

- **IP67 M22 CABLE JACKS**
- **5.6 PINS**
- **MOLDING TYPE**
- **WP2205JMR**
- **WP2206JMR**



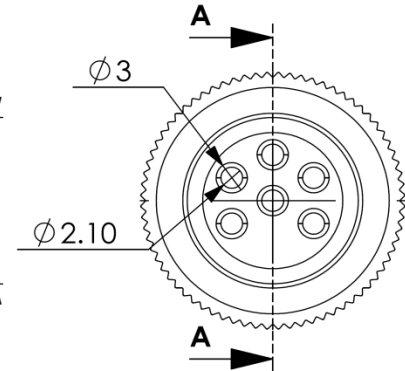
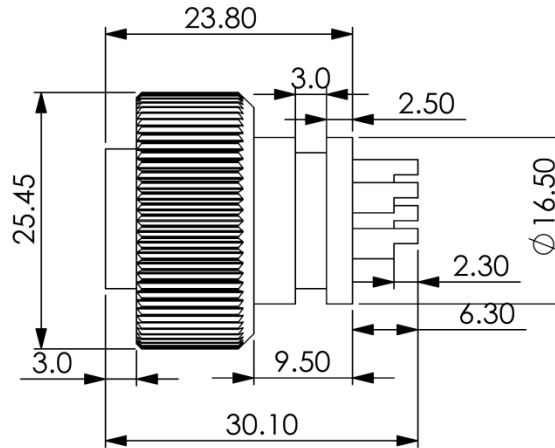
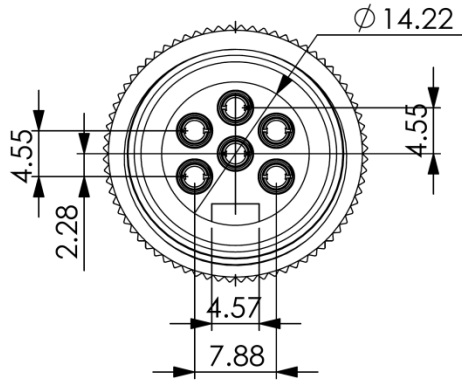
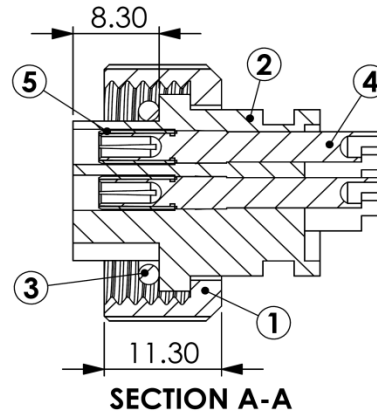
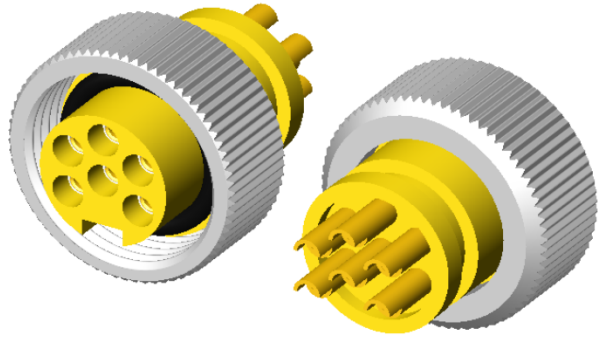


5	Ring Cap	Brass	Nickel Ptd.	5
4	Terminals	Brass	Gold Flash	5
3	O-Ring	NBR	Black	1
2	Housing	PBT+30%GF	Yellow	1
1	Screw Cap	Brass	Nickel Ptd.	1
No.	Description	Material	Treat	Q'ty

specification :

Current : 12A
 Operating Temperature : -50°C to 105°C
 Insulation resistance : 1000MΩ min.
 Dielectric strength : 500V AC min.


俞昌有限公司 YEU TSANG CO. LTD.	品名: ITEM :	5P M22 WATER TIGHT CABLE JACK MOLDING TYPE			一般公差	SHEET: 	單位: unit:	mm	日期: date:	'07/01/23	繪圖: drwn by:	DanielShyr
	料號: PART NO.	WP2205JMR	圖號: DRW NO.				.X +/-0.25 .XX +/-0.10	比例: scale:	3 : 2	版本: version:	V. 1.0	核准: aprvid by:



5	Ring Cap	Brass	Nickel Ptd.	6
4	Terminals	Brass	Gold Flash	6
3	O-Ring	NBR	Black	1
2	Housing	PBT+30%GF	Yellow	1
1	Screw Cap	Brass	Nickel Ptd.	1
No.	Description	Material	Treat	Q'ty

specification :

Current : 12A
 Operating Temperature : -50°C to 105°C
 Insulation resistance : 1000MΩ min.
 Dielectric strength : 500V AC min.

俞昌有限公司 YEU TSANG CO. LTD.	品名: ITEM :	6P M22 WATER TIGHT CABLE JACK MOLDING TYPE		 一般公差 .X +/-0.25 .XX +/-0.10	SHEET:	單位: unit: mm	日期: date: '07/01/23	繪圖: drwn by: DanielShyr
	料號: PART NO.	WP2206JMR	圖號: DRW NO.		